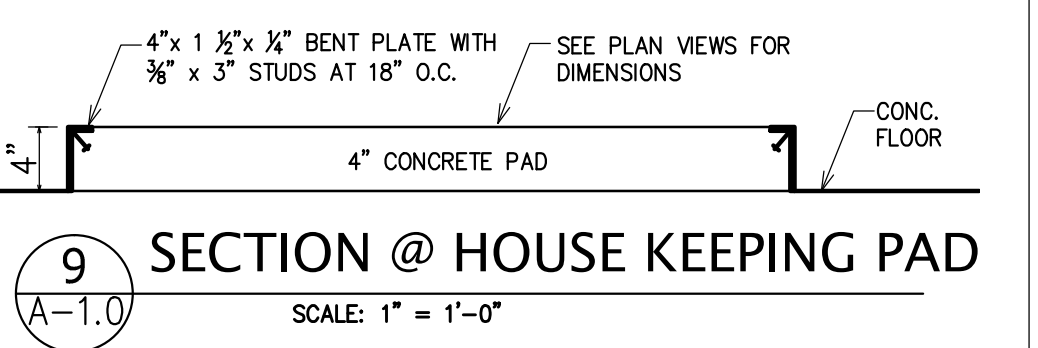
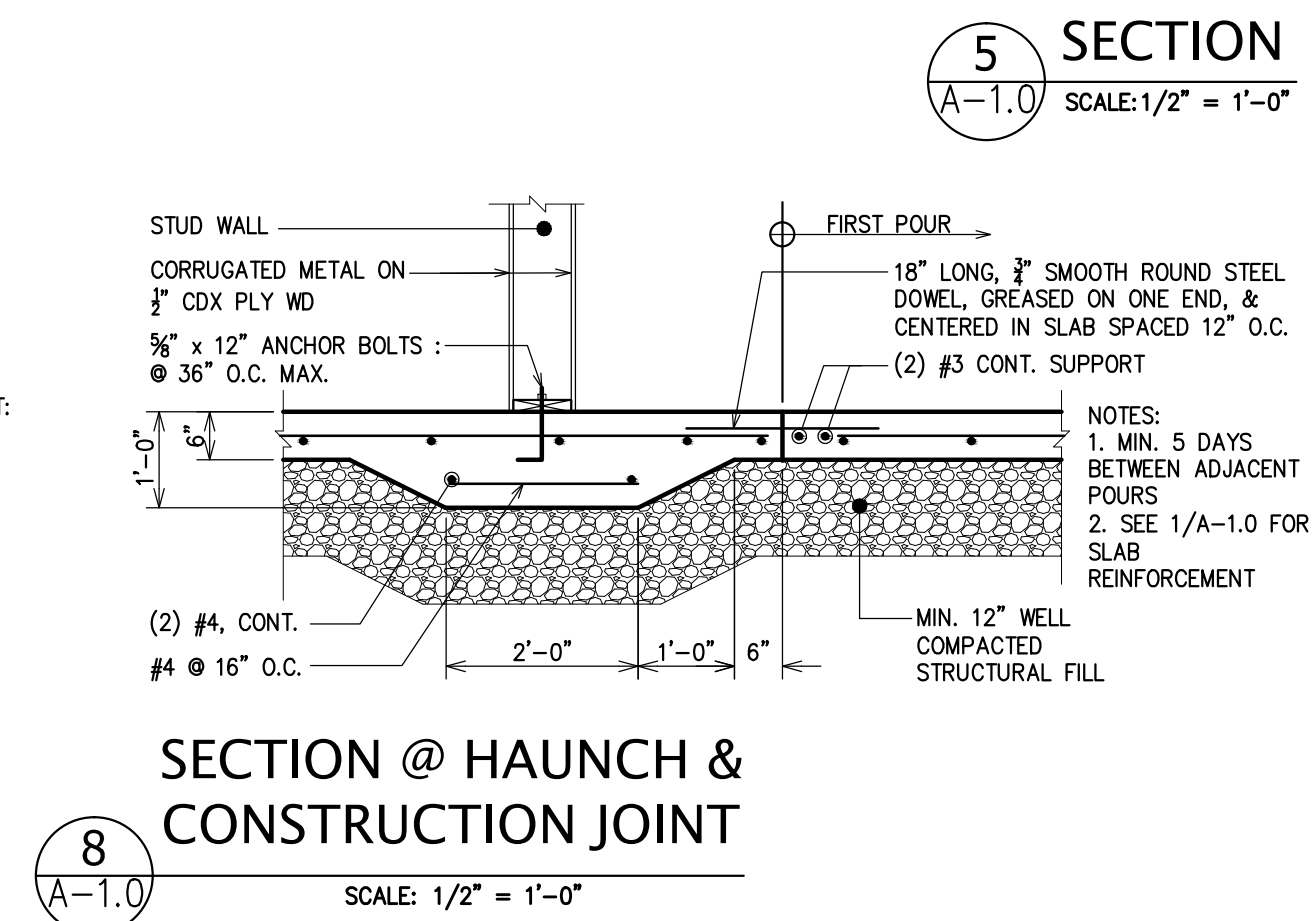
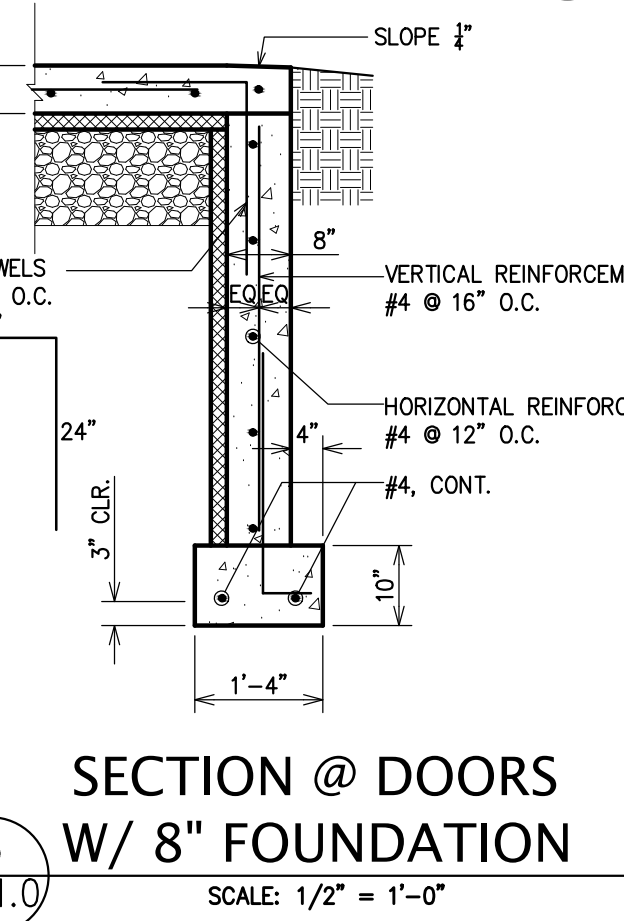
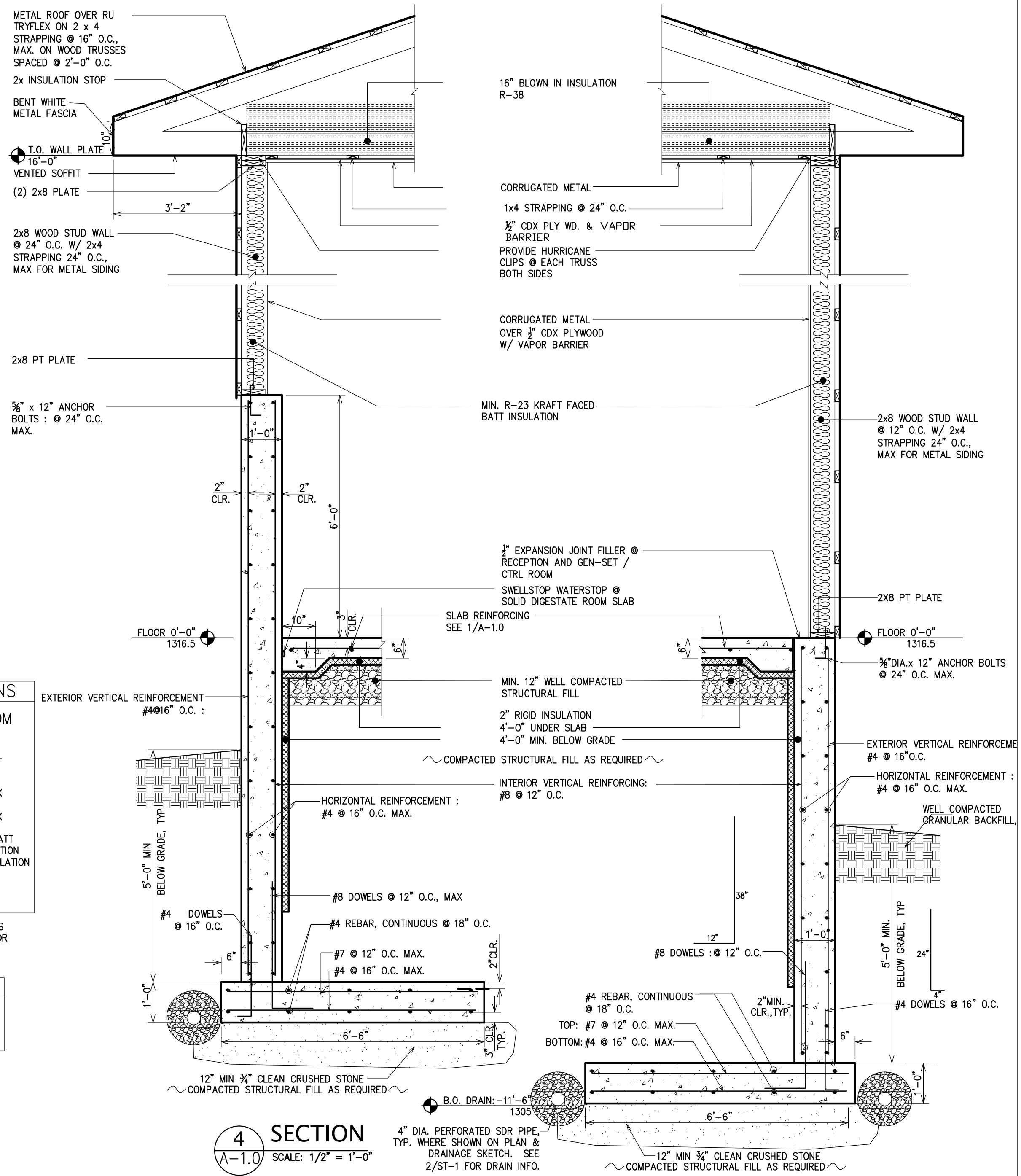


1. EAST AND SOUTH FOUNDATION WALLS REDESIGNED DUE TO UNKNOWN EXISTING SITE CONDITIONS - HIGH WATER TABLE AND EXTREMELY POOR SOILS.  
 2. DRAINAGE ADDED TO REDUCE WATER TABLE ELEVATION.  
 3. STUD WALL SIZE & SPACING CHANGED DUE TO TRUSS BEARING & ENERGY REQUIREMENTS.

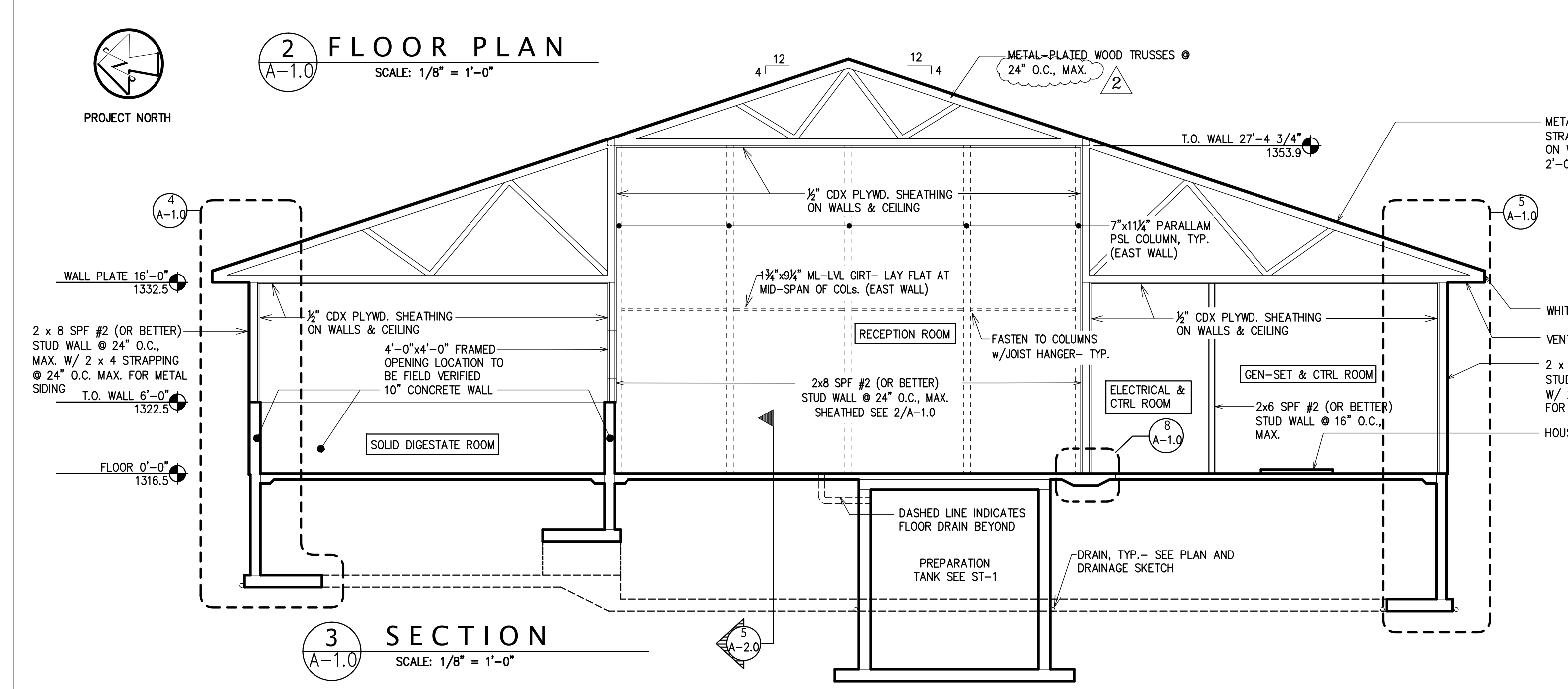
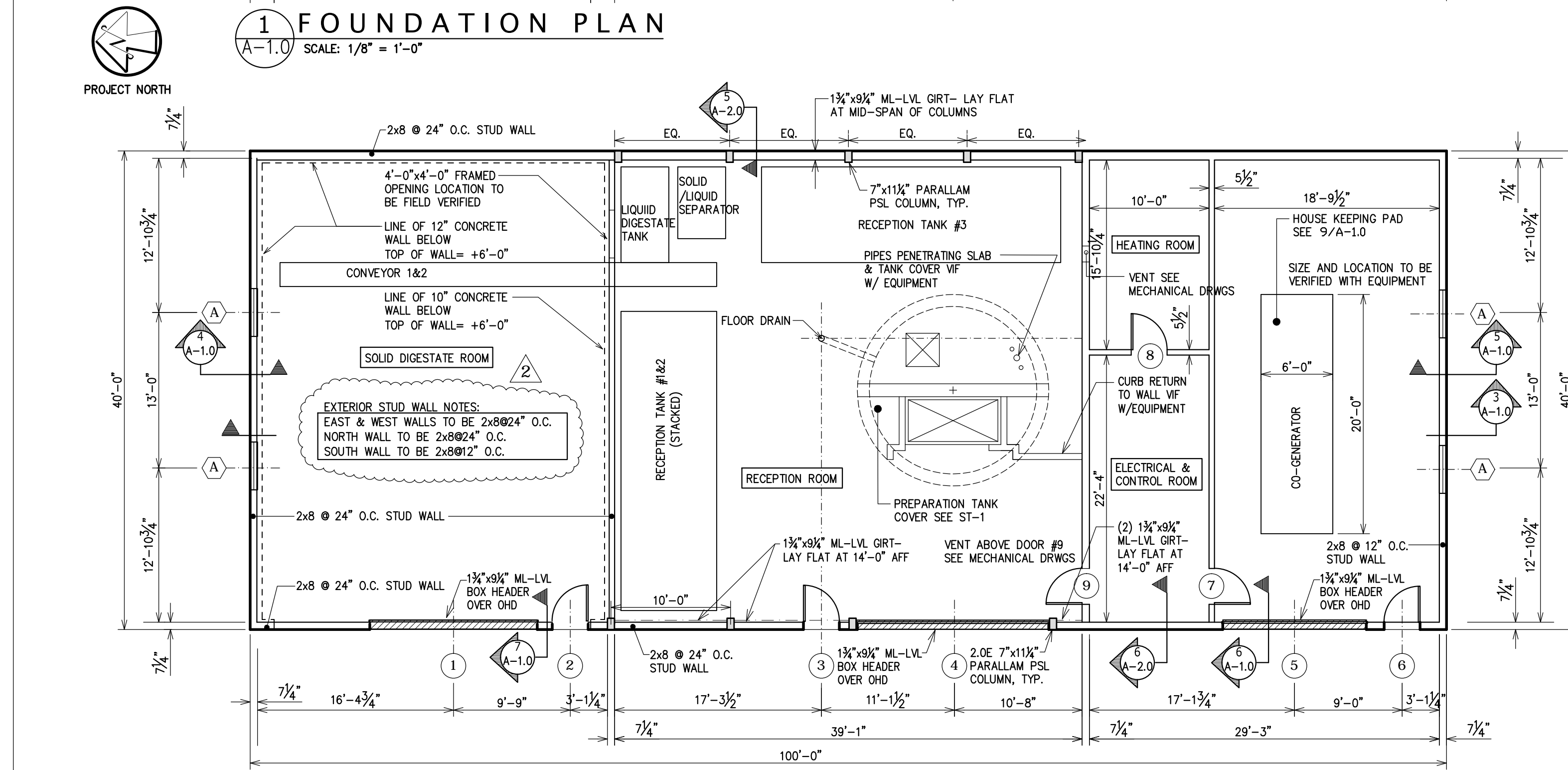
**ROOM SPECIFICATIONS**  
**SOLID DIGESTATE ROOM RECEPTION, HEATING, GEN-SET, ELECTRICAL & CONTROL ROOM**  
 1. WALLS TO BE COVERED W/ 1/2" CDX PLY WD & CORRUGATED METAL  
 2. CEILINGS TO COVERED W/ 1/2" CDX PLY WD & CORRUGATED STEEL  
 3. EXTERIOR WALLS: KRAFT FACED BATT INSULATION OR SPRAY FOAM INSULATION (SEE NOTE ON A-2.0). INCLUDE INSULATION IN INTERIOR WALL BETWEEN SOLID DIGESTATE AND RECEPTION ROOM  
 4. CEILING INSULATION: BLOWN IN

**TRUSS DESIGN LOADS**  
 TCDL = 10 PSF  
 TOLL = 50 PSF  
 BCDL = 10 PSF  
 BCLL = 5 PSF

NOTE: SUBMIT TRUSS DESIGN WITH VT PE STAMP TO ENGINEER FOR APPROVAL



NOTES:  
 1. CONCRETE SHALL BE 3000 PSI IN FOOTINGS AND WALLS AND 4000 PSI FOR FLOOR SLAB.  
 2. GRANULAR FILL UNDER THE FLOOR SLAB AND ON THE EXTERIOR SIDE OF FOUNDATION WALLS SHALL BE COMPACTED TO 95% OF MAXIMUM MODIFIED PROCTOR DENSITY.  
 3. STRUCTURAL FILL BELOW THE PREPARATION TANK SHALL BE COMPACTED TO 97% OF MAXIMUM MODIFIED PROCTOR DENSITY.  
 4. FLOOR SLAB SHALL BE WET CURED FOR 7 DAYS AFTER FINISHING. MAINTAIN PLASTIC OR BURLAP PROTECTION AND KEEP SLAB WET DURING THIS PERIOD.  
 5. ALL UNFINISHED SURFACES SHALL BE PAINTED, INCLUDING BUT NOT LIMITED TO DOORS AND FRAMES.



**ISSUED FOR CONSTRUCTION**  
**18 JULY 2013**

PROJECT: 12013  
 DATE: JUNE 19, 2013  
 DESIGN: PHC  
 DRAWN: VAE  
 CHECKED: PHC  
 APPROVED: PHC  
 SCALE: VARIES

1460-524-2113  
 802-524-9881  
**CCE CROSS**  
 CONSULTING ENGINEERS, P.C.  
 103 Fairlee Rd.  
 St. Albans, Vermont 05478  
 Cross Consulting Engineers, P.C.

**BioReactor Utility Building and Sections**  
 PLANS AND SECTIONS  
 REVISED FOR SITE CONDITIONS 8-27-13  
 REVISED 8-07-13: SPECIFICATION  
 REVISED 6-28-13: MODIFIED FRAMING

**Bio-Methatech**  
 Montreal, Quebec, Canada  
**New Methane Digester**  
 Vermont Technical College Randolph Center, Vt.

ARCHITECTURAL

A-1.0

SHEET 1 OF 2