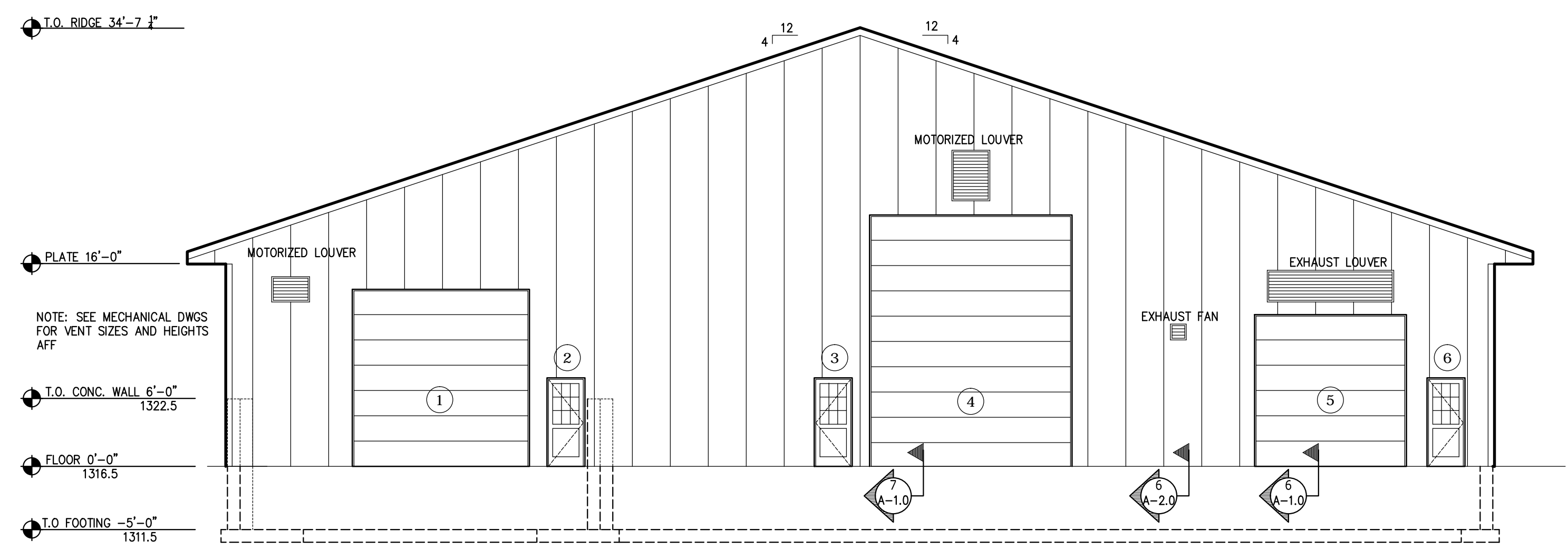
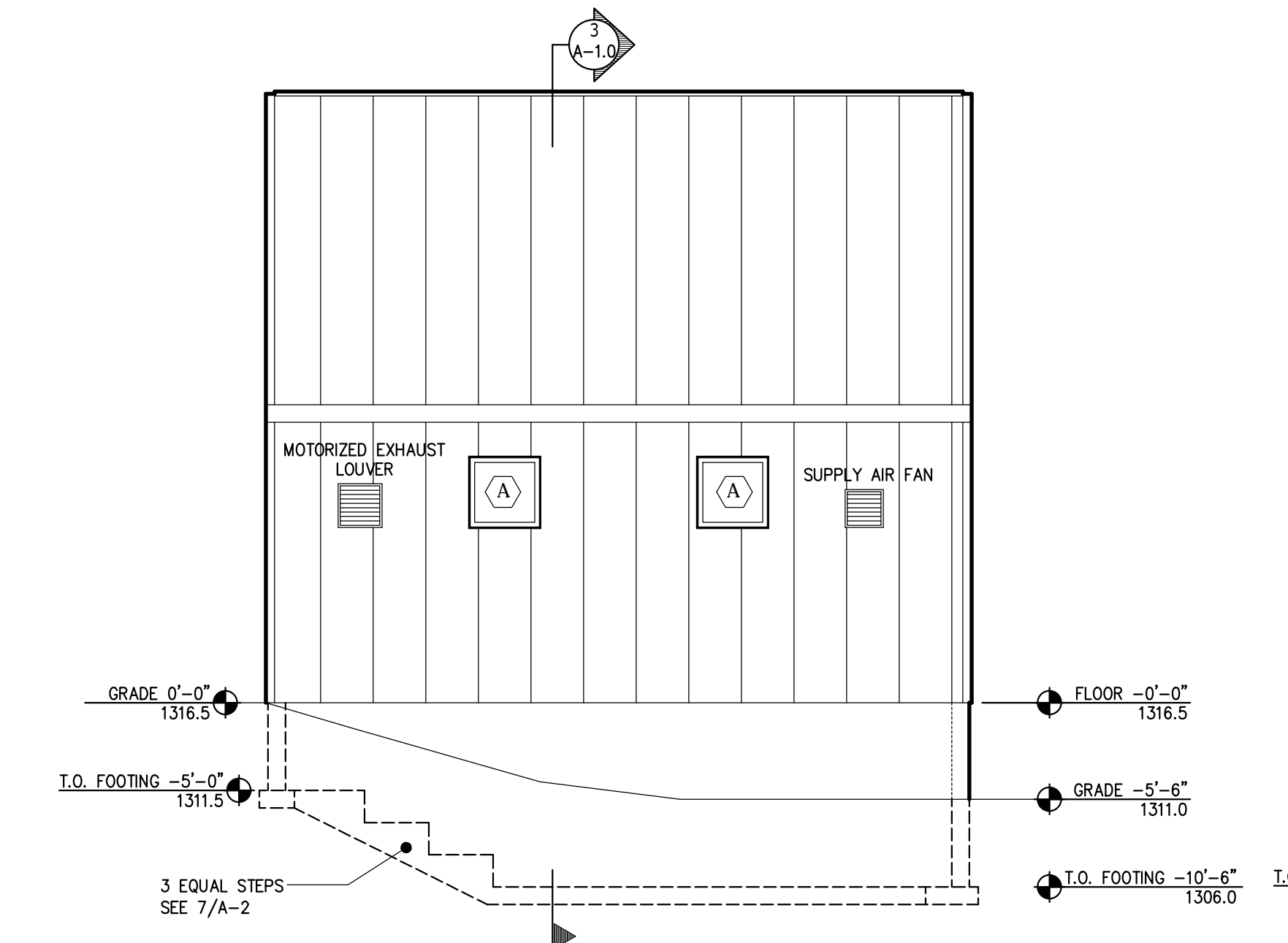


1 NORTH ELEVATION
 A-2.0 SCALE: 1/8" = 1'-0"

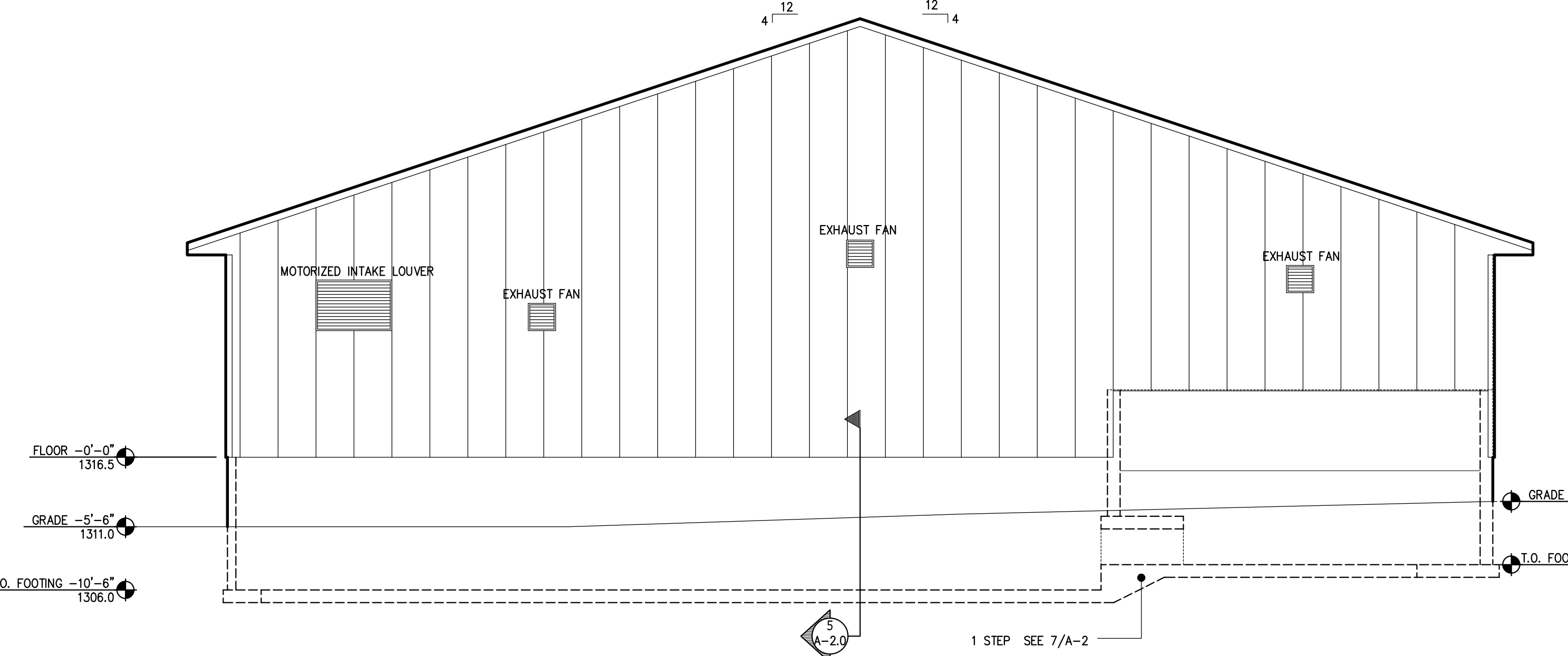


2 WEST ELEVATION
 A-2.0 SCALE: 1/8" = 1'-0"

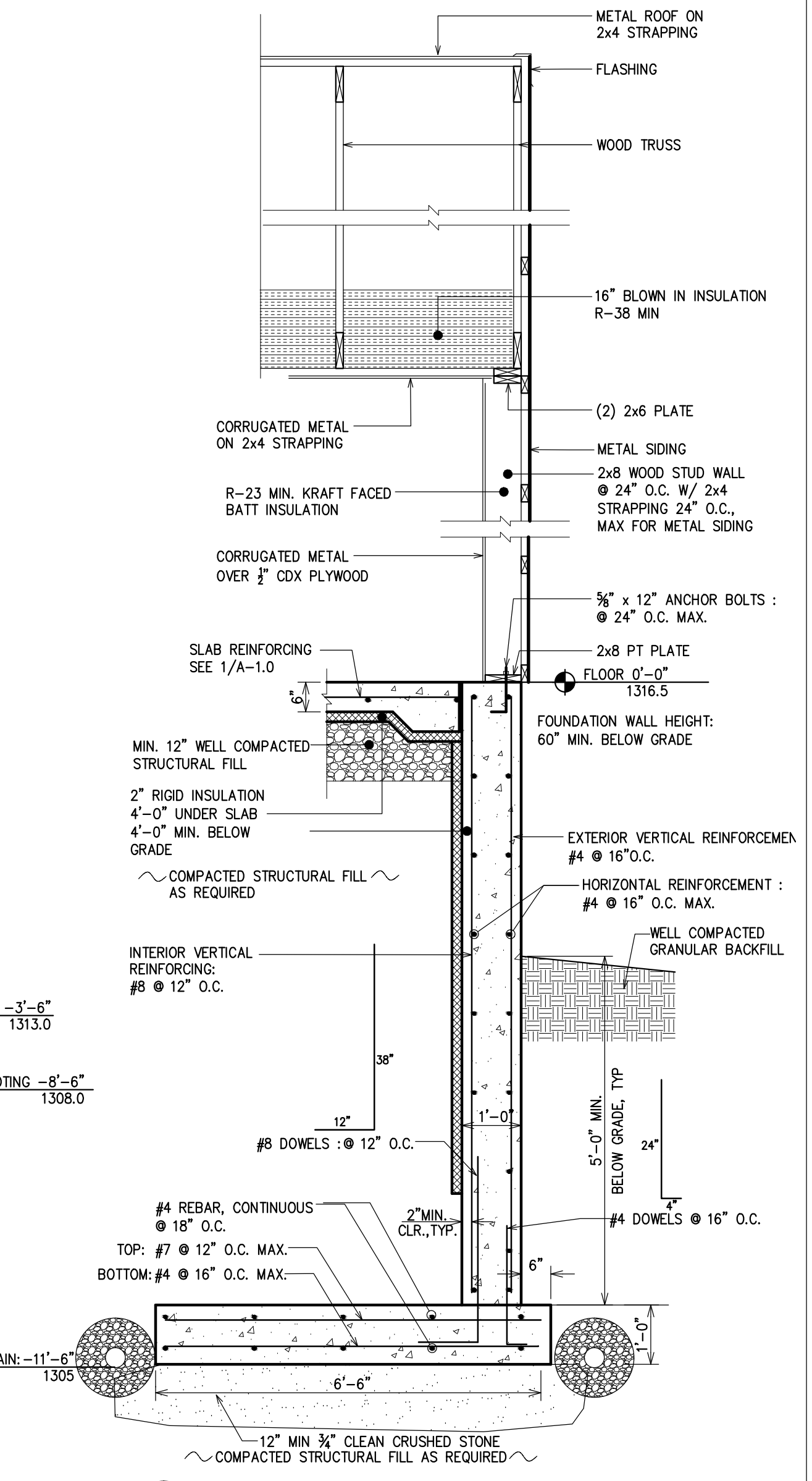
NOTE:
 8" STUD WALL INSULATION:
 R-23 (MIN) KRAFT FACED BATT
 INSULATION IN ORDER TO MEET
 ENERGY CODE REQUIREMENTS



3 SOUTH ELEVATION
 A-2.0 SCALE: 1/8" = 1'-0"

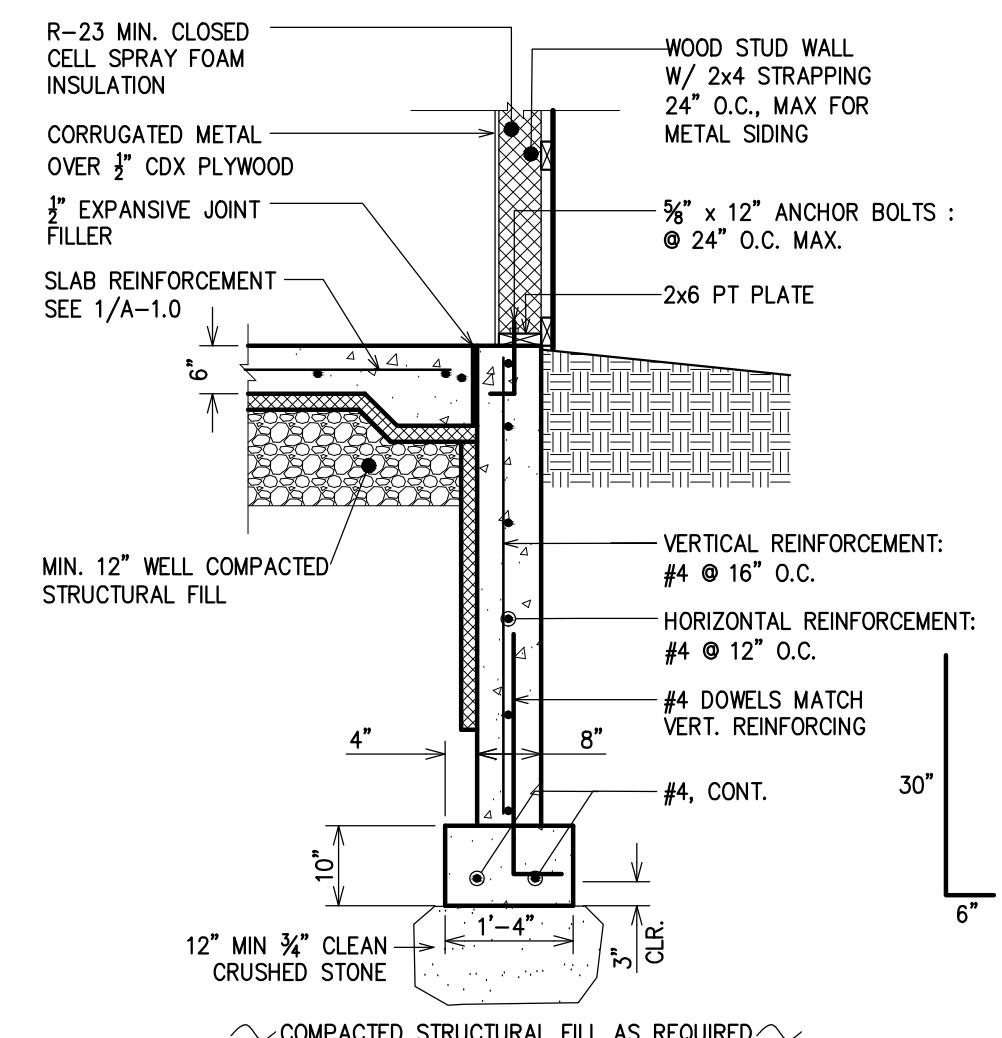


4 EAST ELEVATION
 A-2.0 SCALE: 1/8" = 1'-0"

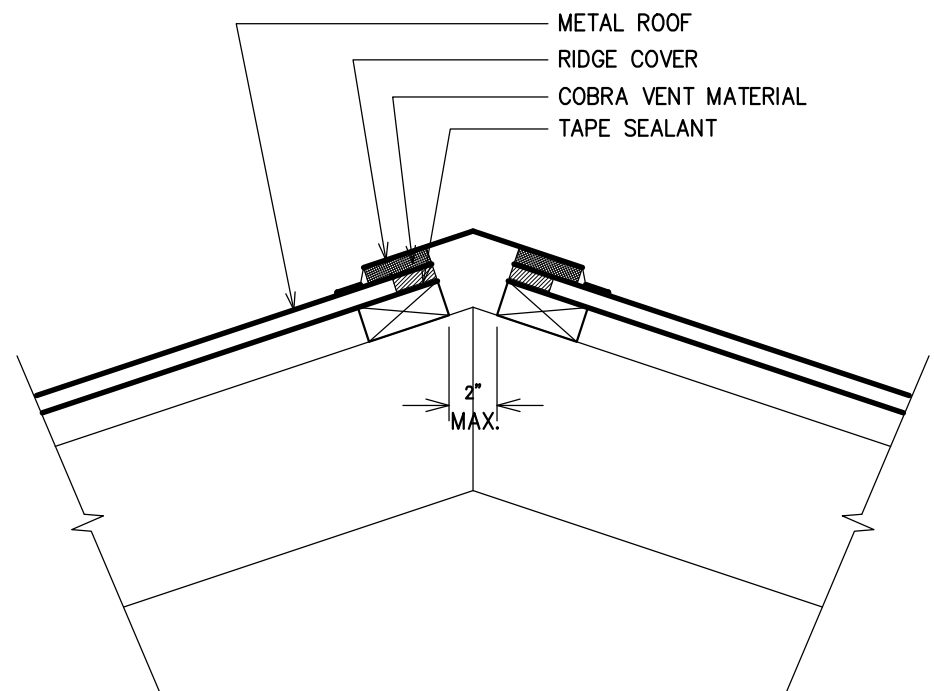


5 SECTION
 A-2.0 SCALE: 1/2" = 1'-0"

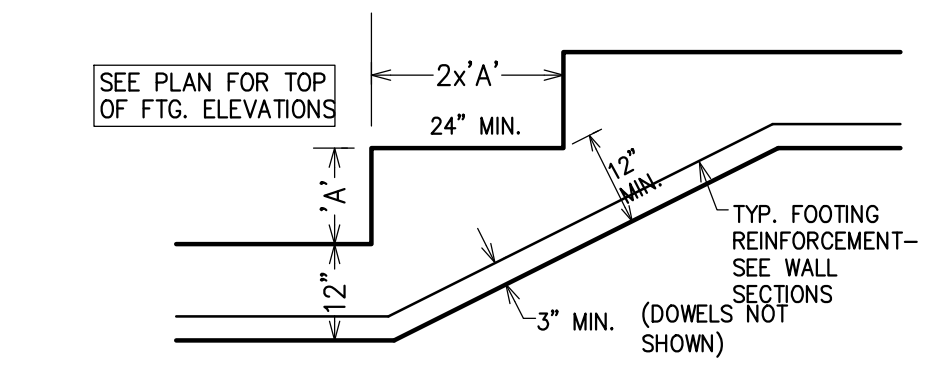
DOOR / WINDOW SCHEDULE				
DOOR	TYPE	UNIT SIZE		DETAILS
		WIDTH	HEIGHT	
①	GARAGE DOOR-THERMOSPAN/150 FLUSH	14'-0" x 14'-0"		3" TRACK/ELEC. OPENER
②	STEEL EXTERIOR-9 LITE	3'-0" x 6'-8"		
③	STEEL EXTERIOR-9 LITE	3'-0" x 6'-8"		
④	GARAGE DOOR-THERMOSPAN/150 FLUSH	16'-0" x 20'-0"		3" TRACK/ELEC. OPENER
⑤	GARAGE DOOR-THERMOSPAN/150 FLUSH	12'-0" x 12'-0"		2" TRACK/ELEC. OPENER
⑥	STEEL EXTERIOR-9 LITE	3'-0" x 6'-8"		
⑦	STEEL EXTERIOR-9 LITE	3'-0" x 6'-8"		
⑧	STEEL EXTERIOR-9 LITE	3'-0" x 6'-8"		
⑨	STEEL EXTERIOR-9 LITE	3'-0" x 6'-8"		
WINDOW	TYPE	UNIT SIZE		DETAILS
Ⓐ	VINYL DOUBLE GLAZED FIXED	4'-0" x 4'-0"		



6 SECTION @ 8" FROST WALL
 A-2.0 SCALE: 1/2" = 1'-0"



8 VENTED METAL RIDGE DETAIL
 A-2.0 SCALE: 1 1/2" = 1'-0"



7 STEPPED FOUNDATION DETAIL
 A-2.0 SCALE: 1/2" = 1'-0"

ISSUED FOR CONSTRUCTION
18 JULY 2013